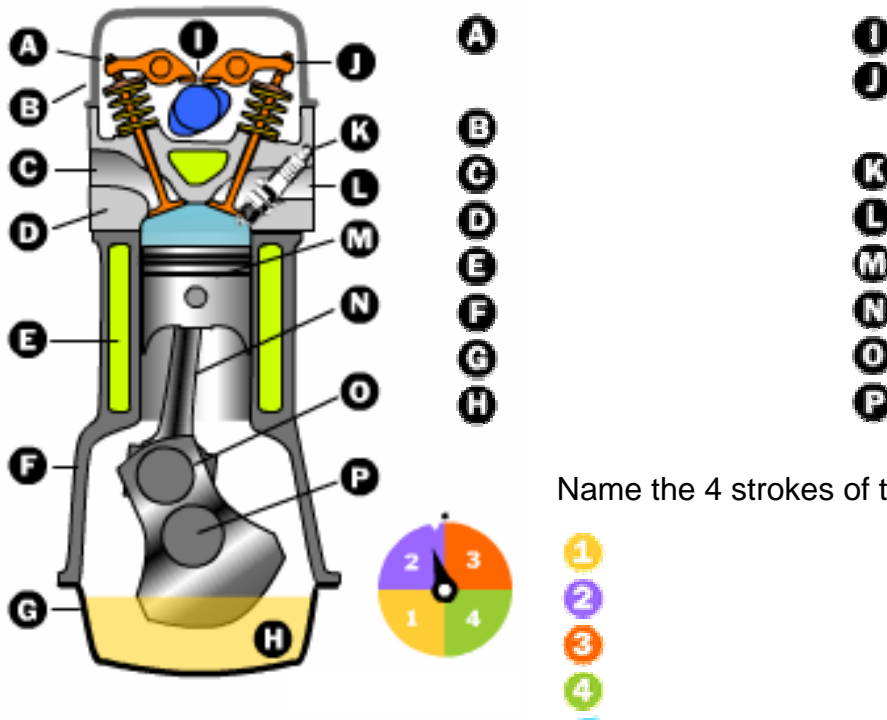


Name: \_\_\_\_\_

**Four Stroke Engine**

Label the parts of the internal combustion engine.



Name the 4 strokes of the four-stroke engine

- 1
- 2
- 3
- 4

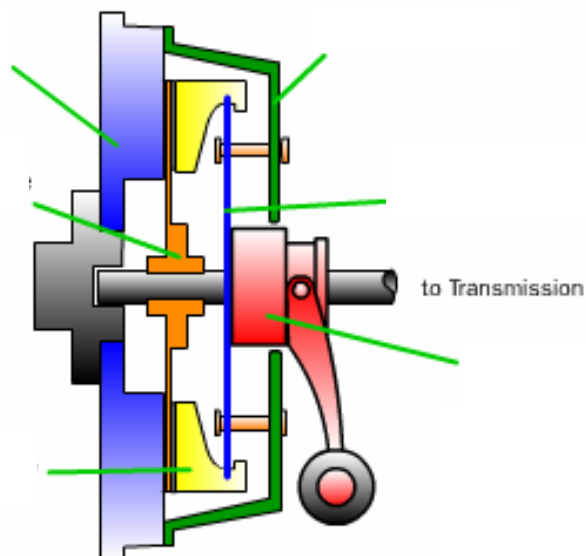
How many revolutions does the crankshaft turn between sparks?

**Clutch**

Label the parts of the clutch.

When the clutch pedal is depressed, is the clutch disengaged or engaged?

When do we use the clutch?



**Tyres**

What is the legal tread depth?

What is the main consequence of over inflated tyres?

Name three main brands of tyres.

**Brakes**

Name two main types of brakes.

Is a brake disc made of wood, fibre, steel or rubber?

Which brakes operate first – front or back?

When should you check your brakes?

**Spark Plugs**

What material is the white portion of the plug?

Approximately what voltage does the plug use?

Name the two main types of spark plug.

What does HT stand for?

What should we avoid when replacing the plug into the cylinder head?

Where do we find the gap size when setting the gap on a spark plug?

What do we call the tool used for measuring the gap between the plug electrodes?

Links to websites to help you with these questions can be found on our website at [www.stotfoldscouts.org.uk/ridgway](http://www.stotfoldscouts.org.uk/ridgway)